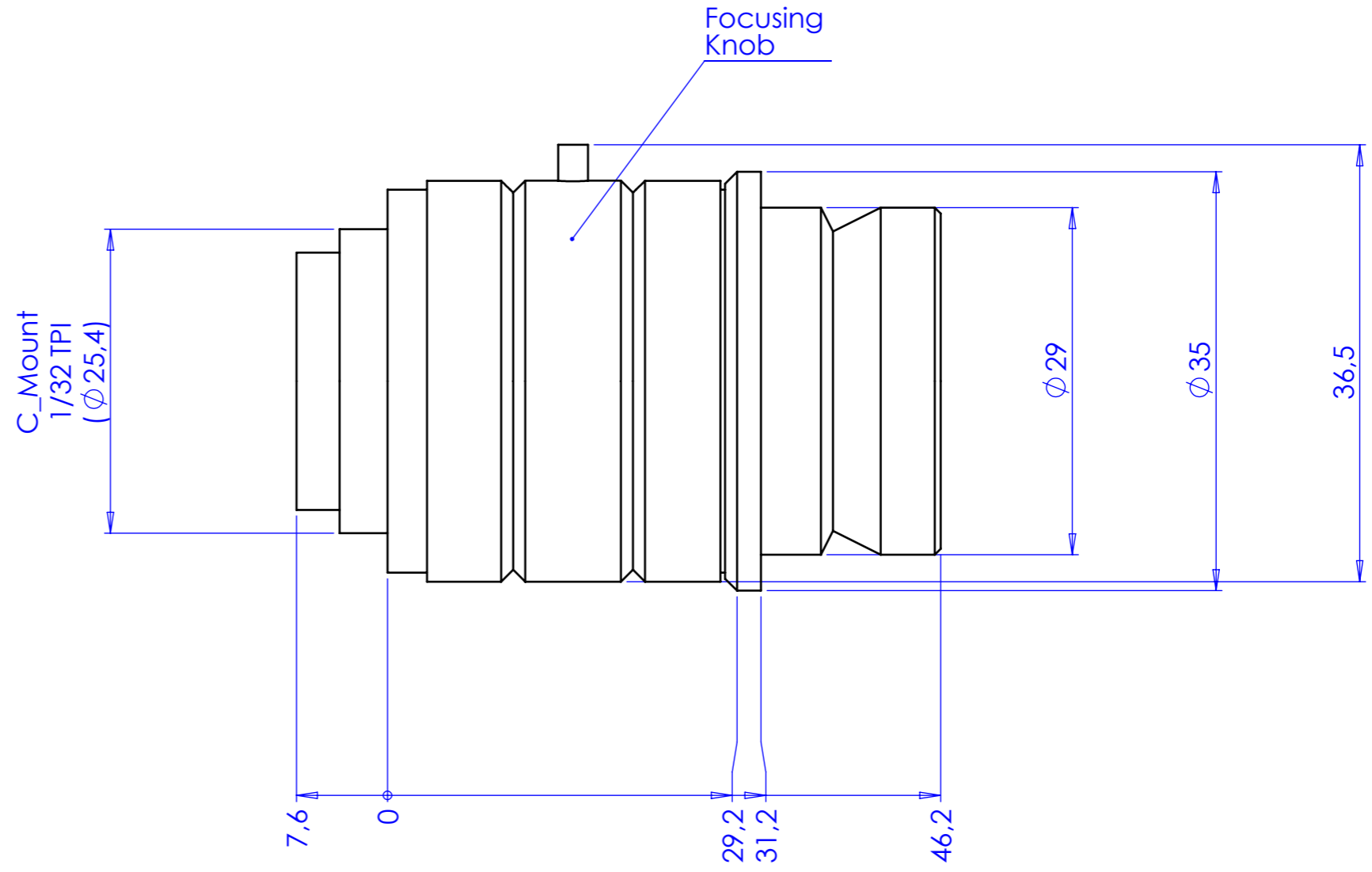
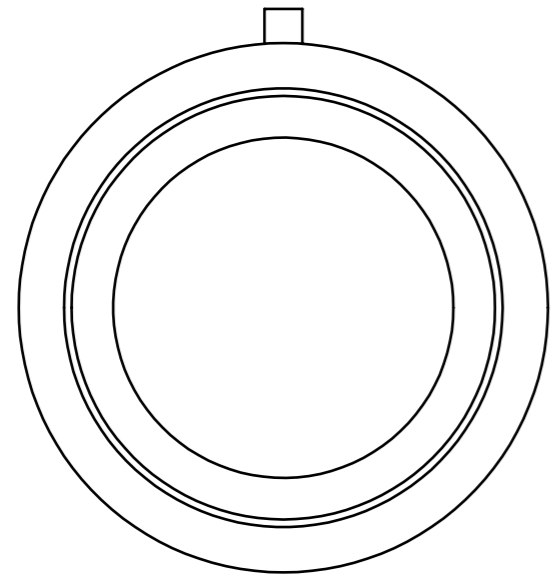


1 2 3 4 5 6 7 8

Rev No.	Description	Date	Name



D
C
B
A

D
C
B
A

Material		N.A.				Mass	90 gr	Scale	2:1
Surface treatment						Project-Prod.item/Instrument			
						OIXSXX030 - OIHP13030			
Geometrical tolerance (ISO 2768-2)						Class	K	Description	
Linear tolerance (ISO 2768-2)						Class	m	Layout	
0.5	>3±	>6±	>30±	>120	>400±	>1000	>2000	Undimensioned bevels	0.5x45°
±3	6	30	120	±400	±1000	±2000	±4000	Undimensioned radii	R 0.5
±0.1	±0.1	±0.2	±0.3	±0.5	±0.8	±1.2	±2		
		Date		Name		Drawing No.		Sheet	
		Designed 06/11/2013		A.Bna		20531-0-A		1/1	
		Draw 06/11/2013		A.Bna					
Checked		X		C. Sedazzari		Reproduction forbidden without specific authorization			

1 2 3 4 5 6 7 8

0 1 2 3 4 5 6 7 8 9 10